



### Super Dynamic 5 Fixed Dome Camera with ABS (Adaptive Black Stretch), i-VMD (intelligent-Video Motion Detection) and ABF (Auto Back Focus)

#### Key Features

- **Super Dynamic 5** delivers Superior image by fusion of Super Dynamic, ABS (Adaptive Black Stretch) and i-VMD (intelligent-Video Motion Detection) technology.
- High resolution: 650 TV lines typical (Color mode), 700 TV lines minimum (B/W mode)
- High sensitivity with Day/Night function: 0.1 lx (Color), 0.01 lx (B/W) at F1.4 (Wide). IR cut filter switches on/off to enhance the sensitivity in B/W mode.
- i-VMD (intelligent-Video Motion Detection) including video motion detection, object detection (removal and left behind), scene change detection when lens is covered, spray painted, removed or defocused
- ABF (Auto Back Focus) ensures easy installation and stable focus in both color and B/W modes.
- 3-dimensional color conversion function for natural color reproduction even in lower color temperature situation
- Adaptive Digital Noise Reduction: Integration of 2D-DNR and 3D-DNR ensures noise reduction in various conditions.
- Electronic sensitivity enhancement: Auto (Up to 32x) / Manual (Up to 32x)
- Electronic shutter from 1/100 (NTSC), 1/120 (PAL) to 1/10,000 s.
- 3.8 ~ 8.0 mm, 2x Varifocal Auto Iris lens with 2x digital zoom
- Auto Image Stabilizer for applications where vibration or wind is a concern
- Internal / Line-lock / Multiplexed Vertical Drive (VD2) synchronization
- Over the coaxial cable data communication
- 16 alphanumeric camera title display
- Multi language: English, French, Italian, Spanish, German, Russian
- Monitor output for easier installation

- 3-way hinge (horizontal, vertical and swivel rotation) for easy installation
- Various mounting options: Surface mount and Embedded ceiling mount

#### Standard Accessories

- |                            |       |                                      |
|----------------------------|-------|--------------------------------------|
| • CD-ROM *1 .....          | 1 pc. | The followings are for installation. |
| • Installation Guide ..... | 1 pc. | • Camera Attachment .....            |
| • Warranty Card *2 .....   | 1 pc. | 1 pc.                                |

\*1 The CD-ROM contains the operating instructions (PDF).  
\*2 NTSC models only

#### Optional Accessories

Embedded Ceiling Mount Bracket  
WV-Q175



Smoke Dome Cover  
WV-CW4S



## Specifications

TV System	NTSC	PAL
<b>Camera</b>	1/3 type interline transfer CCD	
Image Sensor	976 (H) x 494 (V)	976 (H) x 582 (V)
Effective Pixels	2:1 interlace scan	
Scanning Mode	4.8 (H) x 3.6 (V) mm	
Scanning Area	Horizontal: 15.734 kHz	Horizontal: 15.625 kHz
Scanning Frequency	Vertical: 59.94 Hz	Vertical: 50 Hz
Horizontal Resolution	650 TV lines typical at color mode, 700 TV lines at B/W mode	
Minimum Illumination*1	Color: 0.1 lx (0.01 lx)(SENS UP: OFF), 0.003 lx (0.0003 lx)(SENS UP: 32x) at F1.4 *2 B/W: 0.01 lx (0.001 lx)(SENS UP: OFF), 0.0003 lx (0.00003 lx)(SENS UP: 32x) at F1.4 *2	
Signal-to-Noise Ratio	50 dB (AGC Off)	
White Balance	ATW1 (2,700 ~ 6,000 K), ATW2 (2,000 ~ 6,000 K), or AWC (2,000 ~ 10,000 K)	
Light Control	ALC / ALC+	
AGC	ON (HIGH / MID / LOW) / OFF	
Super Dynamic 5	ON / ON (i-VMD) / OFF (with BLC masking 8 x 6 areas)	
Dynamic Range	52 dB typical (Super Dynamic 5 ON)	54 dB typical (Super Dynamic 5 ON)
Electronic Shutter	OFF (1/60), 1/100, 1/250, 1/500, 1/1,000, 1/2,000, 1/4,000, 1/10,000 s	OFF (1/50), 1/120, 1/250, 1/500, 1/1,000, 1/2,000, 1/4,000, 1/10,000 s
Electronic Sensitivity UP	OFF / AUTO (2x, 4x, 6x, 10x, 16x, 32x) / FIX (2x, 4x, 6x, 10x, 16x, 32x)	
Digital Noise Reduction	High / Low	
Black and White Mode	Mode: AUTO1 / AUTO2 / ON / OFF	
Digital Zoom	ON (up to 2x) / OFF	
Scene File	2 patterns	
i-VMD (intelligent-Video Motion Detection)	Video Motion Detection, Object Detection (Removal and Left Behind), Scene Change Detection	
Privacy Zone	ON (Gray / Mosaic) or OFF	
Image Stabilizer	ON / OFF	
Camera Title	Up to 16 characters	
Lens Mount	CS-mount	
Back Focus Adjustment	ABF (AUTO / PRESET / FIX), MANUAL-ADJ	
Synchronization	Internal (INT), Multiplexed Vertical Drive (VD2), Line-Lock (LL) *3	
<b>Lens</b>	Focal Length 3.8 ~ 8.0 mm, 2x varifocal	
Angular Field of View	H: 35.6° (Tele) ~ 73.6° (Wide) V: 26.6° (Tele) ~ 53.4° (Wide)	
Maximum Aperture Ratio	1 : 1.4 (Wide) ~ 1 : 1.8 (Tele)	
Focusing Range	1.2 m (3.9 ft.) ~ ∞	
ALC Drive	DC	
<b>Pan and Tilt</b>	Panning range ±170°	
Tilting Range	±75°	
Azimuth Range	±100°	
<b>Input/ Output</b>	Video Output 1.0 V [P-P] / NTSC composite Output 75 Ω / BNC Connector Multiplexed VD2 and control data capable	
Monitor Output	1.0 V [P-P] / NTSC composite 75 Ω / RCA Jack	
<b>General</b>	Safety/EMC Standard UL (UL60065), FCC (Part15, ClassA) C-UL (CAN/CSA C22.2 No.60065), DOC (ICES003 ClassA)	
Language	English, Russian (For setup menu and camera title), German, French, Italian, Spanish (For setup menu)	
Power Source and Power Consumption	24 V AC 60 Hz, 3.4 W, 12 V DC, 280 mA	
Ambient Operating Temperature	-10 °C ~ +50 °C (14 °F ~ 122 °F)	
Ambient Operating Humidity	Less than 90 % (no condensation)	
Dimensions	ø151 mm x 129 mm (H) (ø5-15/16" x 5-1/16" (H))	
Mass (approx.)	Main Body: 0.9 kg (2.0 lbs), (including camera attachment 60 g (0.13 lbs))	

\*1 With Standard Clear Dome Cover

\*2 Estimated figure

\*3 Phase adjustable

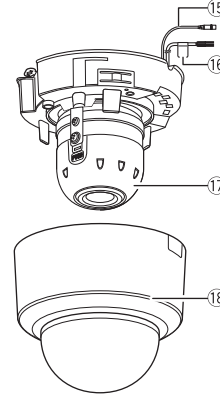
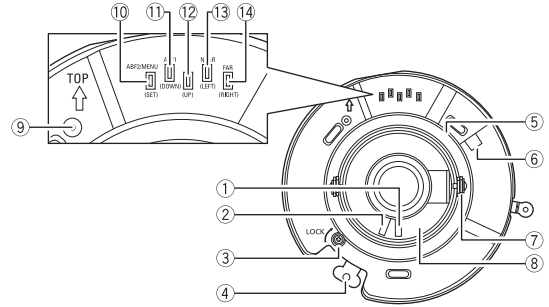
### Trademarks and registered trademarks

– "Super Dynamic", "SDII", "SDIII", "SD5", "SD5Link" and "i-Pro" logos are trademarks or registered trademarks of Panasonic Corporation.

### Important

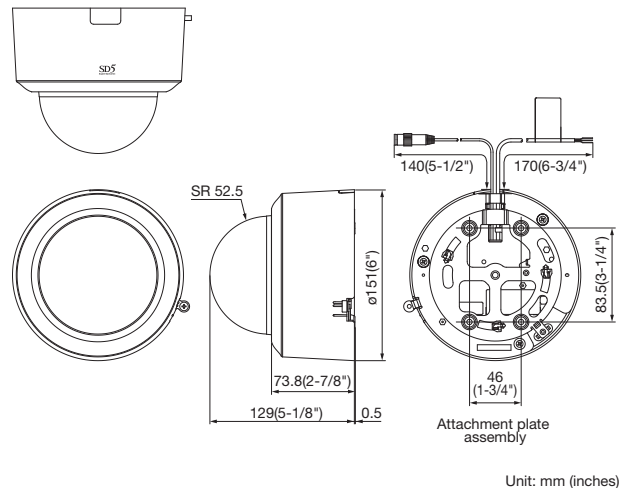
– Safety Precaution: carefully read the operating instructions and installation manual before using this product.

## Part Names and Functions



- |                                     |                               |
|-------------------------------------|-------------------------------|
| ① Focus Lock Knob                   | ⑪ Down Button [(DOWN), ABF1]  |
| ② Zoom Lock Knob                    | ⑫ Up Button [(UP)]            |
| ③ Panning Lock Screw                | ⑬ Left Button [(LEFT), NEAR]  |
| ④ Camera Fixing Screw               | ⑭ Right Button [(RIGHT), FAR] |
| ⑤ Panning Table                     | ⑮ Video Output Cable          |
| ⑥ Monitor Output Connector          | ⑯ Power Cord                  |
| ⑦ Tilting Lock Screw                | ⑰ Inner Dome                  |
| ⑧ Tilt Adjusting Table              | ⑱ Enclosure                   |
| ⑨ ABF Operation Indicator           |                               |
| ⑩ Setting Button [(SET), ABF2/MENU] |                               |

## Appearance



- All TV pictures are simulated.
- Masses and dimensions are approximate.
- Specifications are subject to change without notice.
- These products may be subject to export control regulations.
- All product pictures are NTSC models.

DISTRIBUTED BY:

**Panasonic**<sup>®</sup>

<http://panasonic.net/security/>

Printed in Japan (2A-070A)