

**Features**

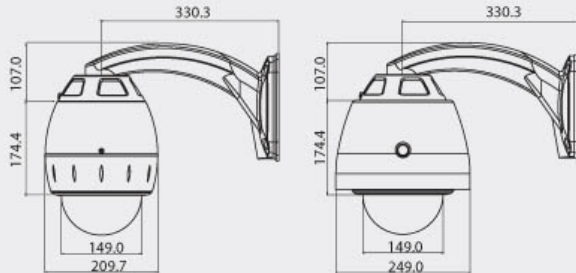
- 1/4 Inch IT CCD, 580TVL
- Built-in Auto Focus/Auto Iris
- Max. 270x Zoom (27x Optical/10x Digital)
- Electronic Sensitivity-up(DSS), TDN(ICR), OSD
- Pan rotation range endless 360°
- Tilt rotation range 0° to 90°
- Pan/Tilt maximum rotating speed is 360°/sec
- Auto parking functions
- Auto-Flip function
- Privacy masking function
- RS-485 protocol compatible
- Wall mount housing (Option: Pendant mount housing)
- IP66



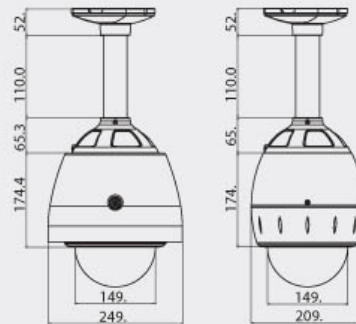
- Without Sun-Shield

**Dimensions**

Wall Mount



Pendant Mount



Unit (mm)

**Optional Accessories**



SCB2000 : Corner mount bracket



SOB2000 : Pole mount bracket



SOJ-S24-24 : AC Power Junction Box

Model	SDN-22Z27FW	SDN-23Z27FW
Signal System	NTSC	PAL
Scanning System	2:1 Interlace	
Scanning Freq. (H)	15.734 kHz	15.625kHz
Scanning Freq. (V)	59.94Hz	50Hz
Sync. System	Internal / Line-Lock	
Image Sensor	1/4" IT CCD	
Effective Pixel No. (V)	768(H) x 494(V) 380K	752(H) x 582(V) 440K
H.Resolution	580 TV Lines	
Min.Illumination	0.5Lux (Color), 0.1Lux (B/W), 0.0005Lux(B/W, DSS On) 30 IRE	
Day & Night Type	Electronic sensitivity-up (DSS), TDN(ICR)	
Video Output	1.0Vp-p (75Ω, composite)	
S/N Ratio	More than 50dB (AGC Off)	
Communication	RS-485, Controllable up to 255 cameras simultaneously	
Camera ID / Protocol	256 IDs/Pelco-D, Pelco-P, Samsung, Panasonic selectable	
<b>Lens</b>		
Zoom Ratio	270x Zoom (27x Optical Zoom, 10x Digital Zoom)	
Focal Length	3.6 (W) mm ~ 97.2 (T) mm	
Aperture Range	F1.6 (W) ~ F3.7 (T)	
<b>Pan and Tilt</b>		
Panning/Tilting Range	Pan: 360° endless rotation; Tilt: 90°	
Panning/Tilting Speed	Manual: 1° ~ 360°/sec; Preset: 360°/sec; Swing: 1° ~ 180°/sec	
Panning/Tilting Accuracy	±0.25°	
Preset	127 position with Labels	
Swing / Pattern / Group	8 Swings/4 Patterns (about 5min/Pattern)/8 groups (max. 20)	
<b>Main Functions</b>		
OSD Menu	ON/OFF (English)	
Focus Control	Auto/Manual/Semi-Auto	
Color / BW Switching	Supplied	
Electronic Shutter	1/60~1/10,000sec	1/50~1/10,000sec
Iris / Gain Control	Auto/Manua(F1.6~F3.7); Auto/Manual(-3dB~28dB)	
Brightness Control	Adjustable (0~96)	
White Balance	Auto/Manual (Red, Blue Gain Adjustable)	
BLC / Flickerless	ON/OFF	
Power-up Action	Resume the last action executed (Preset, Swing, Group)	
Auto Parking / Flip	ON/OFF; ON/OFF (rotates dome 180° at bottom of tilt travel)	
Privacy Zone	ON/OFF(8 zone settings)	
Alarm I/O	4 port coupler inputs, 2 relay outputs	
Image Setup	Global / Local (setting WB & AE)	
<b>Electrical &amp; General</b>		
Power	24VAC/2A, 48VA	
Operating Temperature	-30 °C ~ +50 °C	
Dimensions (approx.)	Dome: 149(Φ); Housing: 249(Φ) x 355.4(H) mm	
IP Ratio	IP66	
Housing	SDN-22(3)Z27FP : Pendant mount housing	